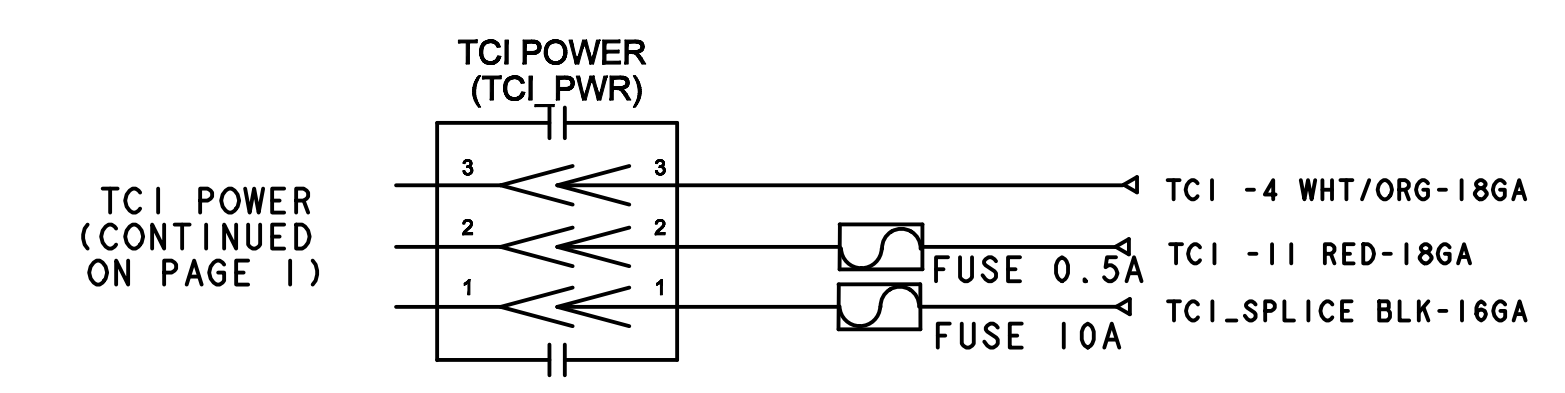
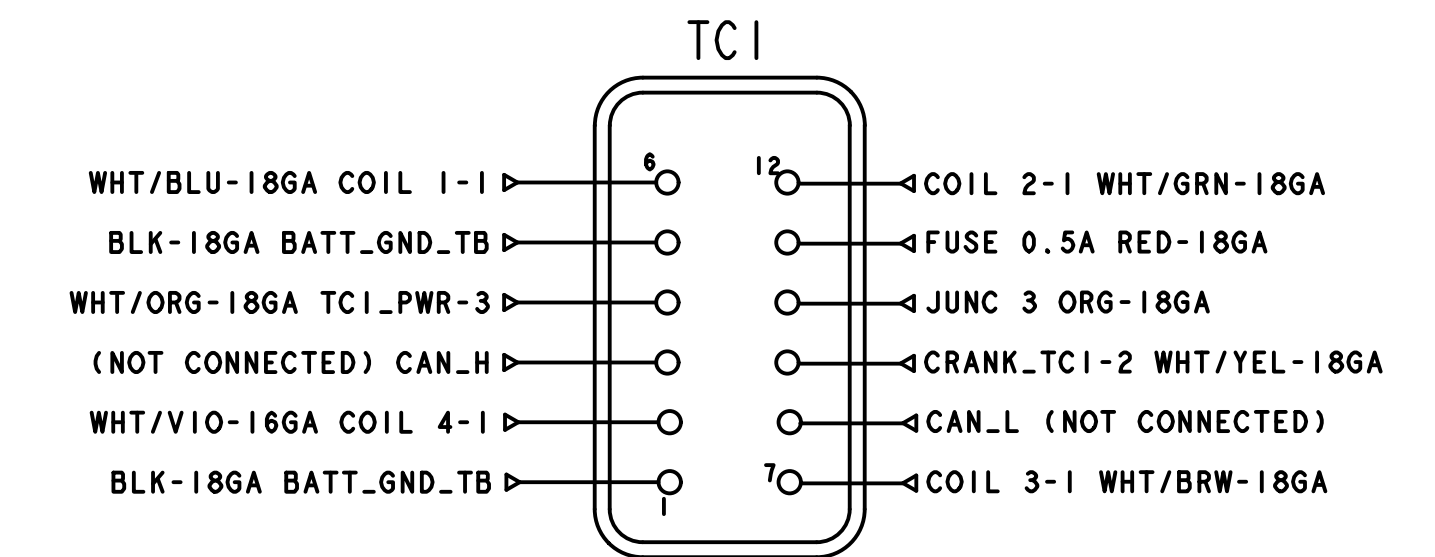
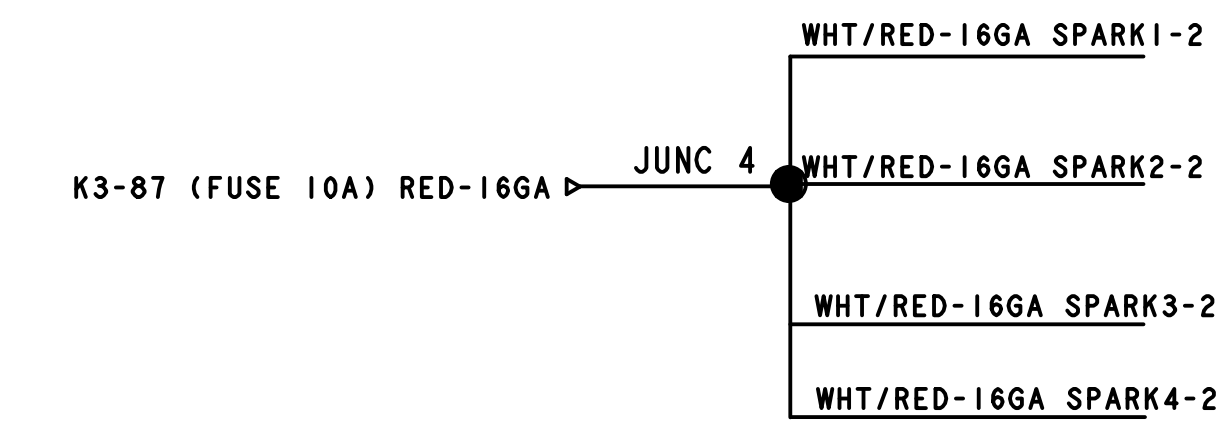
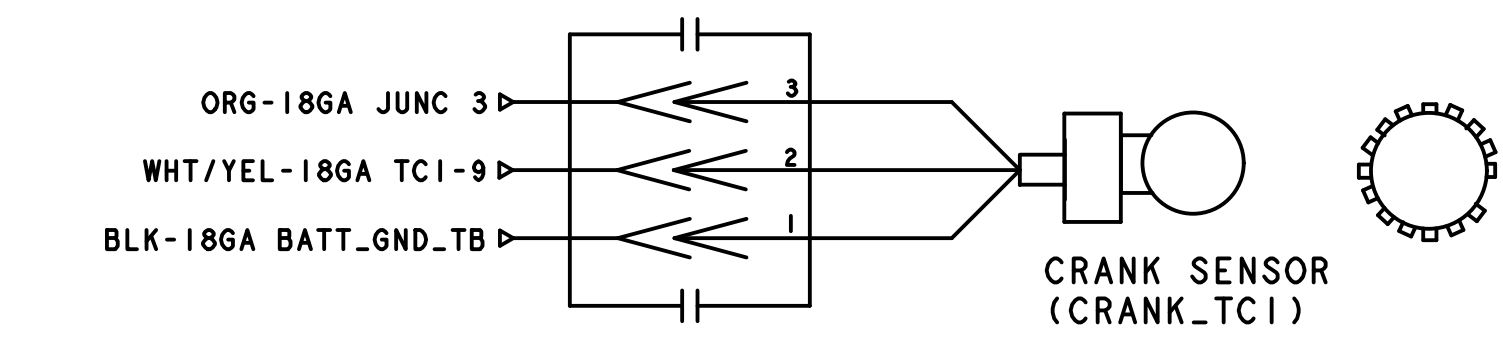
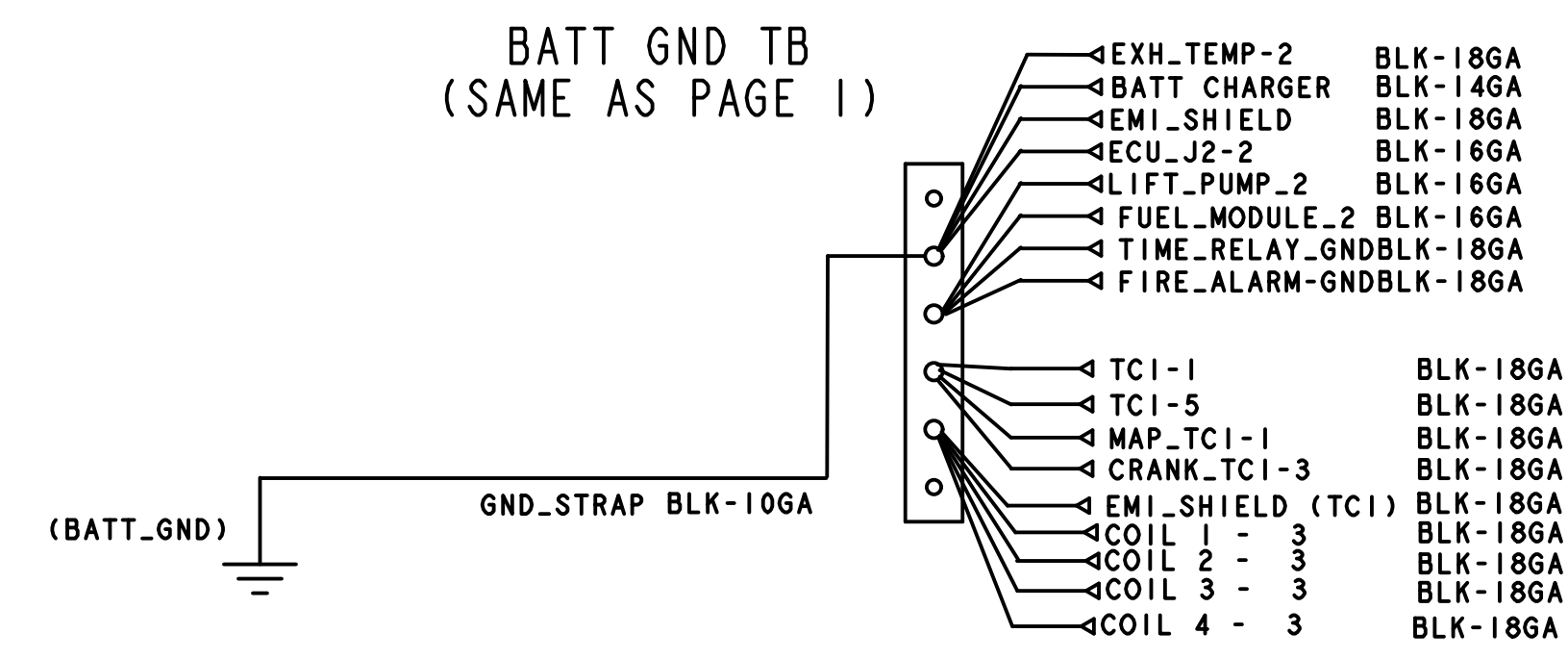
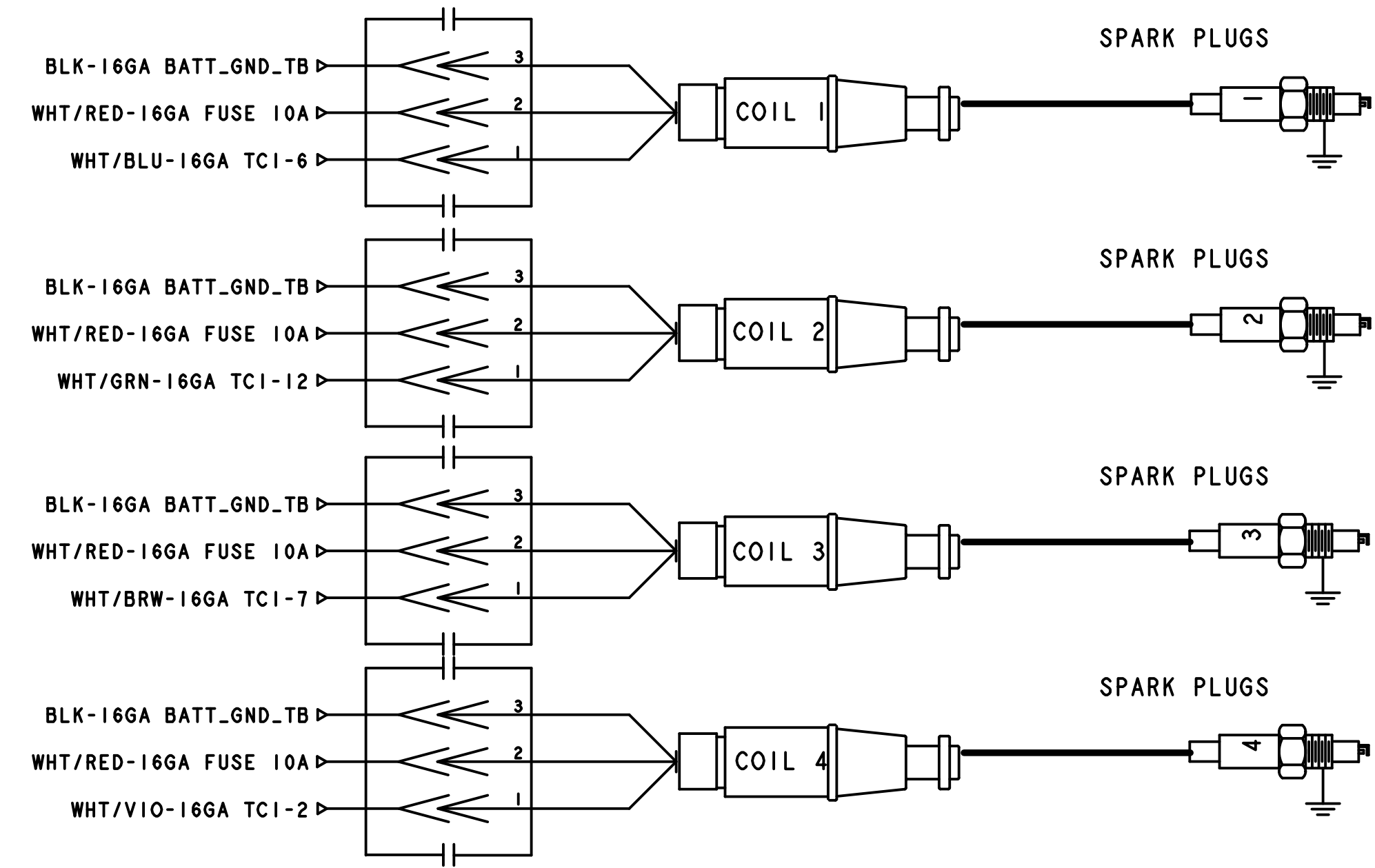


NOTES:
1. CONNECTIONS HIGHLIGHTED IN BOXES INDICATE NEW OR MODIFIED CONNECTIONS

TOLERANCES DIMENSIONS UNLESS OTHERWISE SPECIFIED (DIMENSIONS IN PARENTHESES)		WESTERBEKE Engines & Generators	
INCHES: 1/16 ±0.005 1/8 ±0.005 3/16 ±0.005 1/2 ±0.005 3/4 ±0.005 1 ±0.005	MILLIMETERS: 1.6 ±0.13 3.2 ±0.13 4.8 ±0.13 12.7 ±0.13 19.1 ±0.13 25.4 ±0.13	DRAWN BY: EP DATE: 02/27/2024 SCALE: 1:1 SHEET: 1 OF 3	
TITLE: DIGGSET WIRE RW 9.5 MCGB		MATERIAL: PAPER	
APPROVED BY: [Signature]		DATE: 02/27/2024	
SCALE: 1:1		SHEET: 1 OF 3	
DRAWING NUMBER: 58259		REV: -	


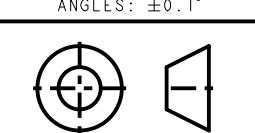


TOLERANCES UNLESS OTHERWISE SPECIFIED DIMENSIONS IN () ARE ()		WESTERBEKE Engines & Generators		150 JOHN HANCOCK RD. EASTON MA 01824 (508) 833-1671	
INCHES: .0005 .0010 .0015 .0020 .0030 .0040 .0050 .0060 .0070 .0080 .0090 .0100 .0150 .0200 .0300 .0400 .0500 .0600 .0700 .0800 .0900 .1000 .1500 .2000 .3000 .4000 .5000 .6000 .7000 .8000 .9000 1.0000 1.5000 2.0000 3.0000 4.0000 5.0000 6.0000 7.0000 8.0000 9.0000 10.0000	MILLIMETERS: .0254 .0508 .0762 .1016 .1270 .1524 .1778 .2032 .2286 .2540 .2794 .3048 .3302 .3556 .3810 .4064 .4318 .4572 .4826 .5080 .5334 .5588 .5842 .6096 .6350 .6604 .6858 .7112 .7366 .7620 .7874 .8128 .8382 .8636 .8890 .9144 .9398 .9652 .9906 1.0160 1.0414 1.0668 1.0922 1.1176 1.1430 1.1684 1.1938 1.2192 1.2446 1.2700 1.2954 1.3208 1.3462 1.3716 1.3970 1.4224 1.4478 1.4732 1.4986 1.5240 1.5494 1.5748 1.6002 1.6256 1.6510 1.6764 1.7018 1.7272 1.7526 1.7780 1.8034 1.8288 1.8542 1.8796 1.9050 1.9304 1.9558 1.9812 2.0066 2.0320 2.0574 2.0828 2.1082 2.1336 2.1590 2.1844 2.2098 2.2352 2.2606 2.2860 2.3114 2.3368 2.3622 2.3876 2.4130 2.4384 2.4638 2.4892 2.5146 2.5400 2.5654 2.5908 2.6162 2.6416 2.6670 2.6924 2.7178 2.7432 2.7686 2.7940 2.8194 2.8448 2.8702 2.8956 2.9210 2.9464 2.9718 2.9972 3.0226 3.0480 3.0734 3.0988 3.1242 3.1496 3.1750 3.2004 3.2258 3.2512 3.2766 3.3020 3.3274 3.3528 3.3782 3.4036 3.4290 3.4544 3.4798 3.5052 3.5306 3.5560 3.5814 3.6068 3.6322 3.6576 3.6830 3.7084 3.7338 3.7592 3.7846 3.8100 3.8354 3.8608 3.8862 3.9116 3.9370 3.9624 3.9878 4.0132 4.0386 4.0640 4.0894 4.1148 4.1402 4.1656 4.1910 4.2164 4.2418 4.2672 4.2926 4.3180 4.3434 4.3688 4.3942 4.4196 4.4450 4.4704 4.4958 4.5212 4.5466 4.5720 4.5974 4.6228 4.6482 4.6736 4.6990 4.7244 4.7498 4.7752 4.8006 4.8260 4.8514 4.8768 4.9022 4.9276 4.9530 4.9784 5.0038 5.0292 5.0546 5.0800 5.1054 5.1308 5.1562 5.1816 5.2070 5.2324 5.2578 5.2832 5.3086 5.3340 5.3594 5.3848 5.4102 5.4356 5.4610 5.4864 5.5118 5.5372 5.5626 5.5880 5.6134 5.6388 5.6642 5.6896 5.7150 5.7404 5.7658 5.7912 5.8166 5.8420 5.8674 5.8928 5.9182 5.9436 5.9690 5.9944 6.0198 6.0452 6.0706 6.0960 6.1214 6.1468 6.1722 6.1976 6.2230 6.2484 6.2738 6.2992 6.3246 6.3500 6.3754 6.4008 6.4262 6.4516 6.4770 6.5024 6.5278 6.5532 6.5786 6.6040 6.6294 6.6548 6.6802 6.7056 6.7310 6.7564 6.7818 6.8072 6.8326 6.8580 6.8834 6.9088 6.9342 6.9596 6.9850 7.0104 7.0358 7.0612 7.0866 7.1120 7.1374 7.1628 7.1882 7.2136 7.2390 7.2644 7.2898 7.3152 7.3406 7.3660 7.3914 7.4168 7.4422 7.4676 7.4930 7.5184 7.5438 7.5692 7.5946 7.6200 7.6454 7.6708 7.6962 7.7216 7.7470 7.7724 7.7978 7.8232 7.8486 7.8740 7.8994 7.9248 7.9502 7.9756 8.0010 8.0264 8.0518 8.0772 8.1026 8.1280 8.1534 8.1788 8.2042 8.2296 8.2550 8.2804 8.3058 8.3312 8.3566 8.3820 8.4074 8.4328 8.4582 8.4836 8.5090 8.5344 8.5598 8.5852 8.6106 8.6360 8.6614 8.6868 8.7122 8.7376 8.7630 8.7884 8.8138 8.8392 8.8646 8.8900 8.9154 8.9408 8.9662 8.9916 9.0170 9.0424 9.0678 9.0932 9.1186 9.1440 9.1694 9.1948 9.2202 9.2456 9.2710 9.2964 9.3218 9.3472 9.3726 9.3980 9.4234 9.4488 9.4742 9.4996 9.5250 9.5504 9.5758 9.6012 9.6266 9.6520 9.6774 9.7028 9.7282 9.7536 9.7790 9.8044 9.8298 9.8552 9.8806 9.9060 9.9314 9.9568 9.9822 10.0076 10.0330 10.0584 10.0838 10.1092 10.1346 10.1600 10.1854 10.2108 10.2362 10.2616 10.2870 10.3124 10.3378 10.3632 10.3886 10.4140 10.4394 10.4648 10.4902 10.5156 10.5410 10.5664 10.5918 10.6172 10.6426 10.6680 10.6934 10.7188 10.7442 10.7696 10.7950 10.8204 10.8458 10.8712 10.8966 10.9220 10.9474 10.9728 10.9982 11.0236 11.0490 11.0744 11.0998 11.1252 11.1506 11.1760 11.2014 11.2268 11.2522 11.2776 11.3030 11.3284 11.3538 11.3792 11.4046 11.4300 11.4554 11.4808 11.5062 11.5316 11.5570 11.5824 11.6078 11.6332 11.6586 11.6840 11.7094 11.7348 11.7602 11.7856 11.8110 11.8364 11.8618 11.8872 11.9126 11.9380 11.9634 11.9888 12.0142 12.0396 12.0650 12.0904 12.1158 12.1412 12.1666 12.1920 12.2174 12.2428 12.2682 12.2936 12.3190 12.3444 12.3698 12.3952 12.4206 12.4460 12.4714 12.4968 12.5222 12.5476 12.5730 12.5984 12.6238 12.6492 12.6746 12.7000 12.7254 12.7508 12.7762 12.8016 12.8270 12.8524 12.8778 12.9032 12.9286 12.9540 12.9794 13.0048 13.0302 13.0556 13.0810 13.1064 13.1318 13.1572 13.1826 13.2080 13.2334 13.2588 13.2842 13.3096 13.3350 13.3604 13.3858 13.4112 13.4366 13.4620 13.4874 13.5128 13.5382 13.5636 13.5890 13.6144 13.6398 13.6652 13.6906 13.7160 13.7414 13.7668 13.7922 13.8176 13.8430 13.8684 13.8938 13.9192 13.9446 13.9700 14.0000	TITLE: DIGGENSET WIRE RW 9.5 MCGB	DRAWN BY: EP	DATE CREATED: 02/23/2024	MATERIAL: PHOSPH
APPROVED BY: [Signature]	DATE: 02/23/2024	SCALE DRAWING: 1:1	SIZE: E	DRAWING NUMBER: 58259	REV: -

THIS DRAWING IS PROPRIETARY TO WESTERBEKE CORP. AND MAY NOT BE REPRODUCED OR TRANSMITTED IN ANY FORM OR BY ANY MEANS, ELECTRONIC OR MECHANICAL, WITHOUT EXPRESS WRITTEN PERMISSION.

ECO NO.	DATE	REV.	REVISION RECORD	AUTH.	DR. BY
----	----	---	INITIAL ENG. RELEASE		EF

REVISION PAGE

TOLERANCES <small>UNLESS OTHERWISE SPECIFIED</small> <small>FINISHES: MILL (M), TURN (T), POLISH (P)</small>		 WESTERBEKE <small>150 JOHN HANCOCK RD. EASTON MA 01824 (508) 823-7671</small>	
<small>INCHES:</small> .125 FRACTIONAL .0005 DECIMAL .0005 SURFACE .0005 HOLE	<small>MILLIMETERS:</small> .005 FRACTIONAL .010 DECIMAL .010 SURFACE .010 HOLE	<small>TITLE:</small> DIGGENSET WIRE RW 9.5 MCGB	<small>DATE CREATED:</small> 02/23/2024
<small>APPROVED BY:</small> 	<small>DATE:</small> 02/23/2024	<small>SCALE DRAWING:</small> 1:1	<small>DRAWING NUMBER:</small> 58259
<small>THIS DRAWING IS PROPRIETARY TO WESTERBEKE CORP. AND MAY NOT BE REPRODUCED OR COPIED WITHOUT A THIRD PARTY WITHOUT EXPRESS WRITTEN PERMISSION.</small>		<small>THIRD ANGLE PROJECTION</small>	<small>REV.:</small> -